

SAFETY WARNINGS

IMPORTANT SAFETY INFORMATION

DANGER

Risk of shock. Disconnect power before installation.
DANGER- RISQUE DE CHOC- COUPER L'ALIMENTATION AVANT L'INSTALLATION

WARNING

Risk of fire or electric shock. LED Retrofit Kit installation requires knowledge of luminaire electrical systems. If not qualified, do not attempt installation. Product must be installed in accordance with NEC or your local electrical code. If you are not familiar with these codes and requirements, contact a qualified electrician.

ATTENTION- Risque d'incendie ou de choc électrique. L'installation du kit upgrade LED exige la connaissance des systèmes électriques pour luminaires. Si non qualifié, ne tentez pas d'installation. Ce produit doit être installé conformément à NEC ou votre code électrique local. Si vous n'êtes pas familier avec ces codes et ces exigences, veuillez contacter un électricien qualifié.

WARNING

Risk of fire or electric shock. To prevent wiring damage or abrasion, do not expose wires to the edge of sheet metal or any other sharp objects.

ATTENTION- Pour éviter les dégâts de câblage par l'abrasion, ne pas mettre en contact les fils électriques avec des bords de tôle ou d'autres objets pointus.

WARNING

Risk of fire or electric shock. Check the existing wiring for damage before installing upgrade kit. Do not install if existing wires are damaged.

ATTENTION- Risque d'incendie ou de choc électrique. Vérifier si le câblage existant n'est pas endommagé avant l'installation du kit upgrade LED. Ne pas installer si des fils sont endommagés.

WARNING

Risk of fire or electric shock. Luminaire wiring and electrical parts may be damaged when drilling for installation of the LED upgrade kit. Check for enclosed wiring and components.

ATTENTION- Risque d'incendie ou de choc électrique. Câblage électriques peuvent être endommagés lors du perçage pour l'installation du kit upgrade LED. Vérifier les fils et composants.

UNPACKING THE KIT

Minimum Dimensions

For installation in a 2'x2' or 2'x4' luminaire, the following minimum dimensions apply:

- 3" deep pan
- 3" wide minimum wiring compartment
- 43" minimum length to accommodate 4' light bars; 22" minimum length to accommodate 2' light bars
- Only one kit is to be installed per luminaire

For installation into striplights the following minimum dimensions apply:

- Minimum wiring compartment depth: 2.5"
- Minimum 3.25" wide flat surface compartment cover width
- 43" minimum length to accommodate 4' light bars, 22" minimum length to accommodate 2' light bars

NOTE: Consult your local authority regarding disposal or recycling procedures of removed ballast and lamps.

**SUITABLE FOR DRY LOCATIONS.
NOT FOR USE WITH PHASE CUT DIMMERS.
CONVIENT AUX EMBLEMES HUMIDES.
NE PAS UTILISER AVEC GRADATEUR À COUPURE DE PHASE.**

WARNING

Risk of fire or electric shock. Install this kit only in luminaires that have the construction features and dimensions shown in the photographs and/or drawings.

ATTENTION- Risque d'incendie ou de choc électrique. Installez ce kit seulement dans les luminaires qui ont les caractéristiques de construction et les dimensions dans les photographies ou les dessins de la page suivante.

Only the holes indicated in the photographs or drawings may be made or altered as a result of the kit installation. Do not leave any other holes open in a wiring enclosure or electrical component.

Seulement les trous indiqués dans les photographies ou les dessins peuvent être faits ou altérés pour l'installation du kit upgrade LED. Ne laissez aucun trou ouvert dans le compartiment électrique.

NOTE THE RETROFIT KIT IS ACCEPTED AS A COMPONENT OF A LUMINAIRE WHERE THE SUITABILITY OF THE COMBINATION SHALL BE DETERMINED BY CSA OR AUTHORITIES HAVING JURISDICTION.

LE NÉCESSAIRE DE MODERNISATION EST ACCEPTÉ À TITRE DE COMPOSANT D'UN LUMINAIRE LORSQUE LA PERTINENCE DE LA COMBINAISON DOIT ÊTRE DÉTERMINÉE PAR LA CSA OU PAR LES AUTORITÉS COMPÉTENTES.

Supplied Components

- | | |
|--|---|
| (2) or (3) EVERLINE LED Lensed Modules/Light Bars | (2) Driver Screws (Serrated Washer) |
| (1) EVERLINE Driver | (2) Connectors (Orange 3-Position or Yellow 4-Position) |
| (1) Black and White Driver Input Extension Wires | (2) Connectors (Red, 2-Position) |
| (1) Red and Blue Driver Output Extension Wires | (1) Relamp Label |
| (2) Screws supplied per 2' Light Bar, (3) Screws supplied per 4' Light Bar | |

SUITABLE LUMINAIRE TYPES

KIT MODEL	FLUORESCENT LUMINAIRE TYPES	FRENCH TRANSLATION
LRK22-23Lyxx-U	<ul style="list-style-type: none"> 2x2 Troffers: Lensed or parabolic, Type IC (Insulated Ceiling) or Type Non-IC, 40°C max ambient, requires minimum 3" depth, one LRK22 per troffer 2ft or 4ft Wraparound: Lensed or non-lensed, (minimum 8.5" width and 2.25" depth), 25°C max ambient, requires minimum 3" wide wiring compartment, one LRK22 per 2ft, one or two LRK22 per 4ft 2ft or 4ft Striplight: Non-lensed, (requires minimum wiring compartment dimensions 2.5" depth and 4" width), 25°C max ambient, one LRK22 per 2ft, one or two LRK22 per 4ft striplight 2ft or 4ft Vaportight: Lensed, minimum 5" depth and 6.75" width, 40°C max ambient, one LRK22 per 2ft vaportight, one or two LRK22 per 4ft Any surface or pendant mount circular fluorescent luminaire that has a lamp compartment of overall 32 inches in diameter and 6-3/4 inches depth from the tip of the lens to the luminaire mounting surface, suitable for dry and damp locations, and suitable for 40°C ambient max. 	<ul style="list-style-type: none"> 2x2 à lentille ou parabolique, Type IC ou de Type NON-IC, température ambiante max. de 40° C , profondeur min. de 3" 2 pi. ou de 4 pi. à lentille ou sans lentille enveloppante (largeur min. de 8.5" et profondeur de 2.25"), compartiment de câblage de 3" de large min., température ambiante max. de 25° C 2 pi ou 4 pi, sans lentille, réglette, (dimensions du compartiment de câblage min., 2.5 "de profond, 4" de large), température ambiante max. de 25° C Lentille 2 pi. ou 4 pi. étanche à la vapeur avec profondeur min. de 5" et largeur de 6.75", température ambiante max. de 40° C Deux ensembles LRK22 pouvant être montés au luminaire de 4 pi. de type enveloppant, réglette ou étanche à la vapeur. Tout luminaire fluorescent circulaire pour montage surface ou suspendue et ayant un compartiment à lampe d'un diamètre total de 32 pouces et une épaisseur de 6-3/4 de la pointe de la lentille à la surface de montage du luminaire. Convient aux endroits secs et humides, et convient à une température ambiante max. de 40 °C.
LRK22-30Lyxx-U		
LRK22-23Lyxx-347		
LRK22-30Lyxx-347		
LRK24-40Lyxx-U	<ul style="list-style-type: none"> 2x4 Troffers: Lensed or parabolic, Type IC (Insulated Ceiling) or Type Non-IC, 40°C max ambient, requires minimum 3" depth, one LRK24 per troffer 4ft or 8ft Wraparound: Lensed or non-lensed, (minimum 8.5" width and 2.25" depth), 25°C max ambient, requires 3" wide minimum wiring compartment, one LRK24 per 4ft, one or two LRK24 per 8ft 4ft or 8ft Striplight: Non-lensed, (minimum wiring compartment dimensions 2.5" depth and 4" width), 25°C max ambient, one LRK24 per 4ft, one or two LRK24 per 8ft striplight 4ft or 8ft Vaportight: Lensed, minimum 5" depth and 6.75" width, 40°C max ambient, one LRK24 per 4ft vaportight, one or two LRK24 per 8ft Two continuously row mounted, Type IC or Type Non-IC, 1x4 recessed troffers rated for 40°C max. ambient with overall 4ft by 11-3/4" by 4-1/4" lamp compartment and overall 4ft by 3" by 1-1/2" wiring compartment. 	<ul style="list-style-type: none"> 2x4 à lentille ou parabolique, Type IC ou de Type NON-IC, température ambiante max. de 40° C , profondeur min. de 3" 4 pi. ou 8 pi, à lentille ou sans lentille enveloppante (largeur min. de 8.5" et profondeur de 2.25"), compartiment de câblage de 3" de large min., température ambiante max. de 25° C 4 pi ou 8 pi, sans lentille, réglette, (dimensions du compartiment de câblage min., 2.5 "de profond, 4" de large), température ambiante max. de 25° C Lentille 4 pi. ou 8 pi. étanche à la vapeur avec profondeur min. de 5" et largeur de 6.75", température ambiante max. de 40° C Deux ensembles LRK24 pouvant être montés au luminaire de 8 pi. de type enveloppant, réglette ou étanche à la vapeur. Montage continu sur 2 rangées, Type IC ou Type Non-IC, chemin lumineux encastré de 1 x 4 conçu pour des températures ambiantes maximum de 40 ° avec compartiment de lampe de 4 pi. x 11-3/4" x 4-1/4" et compartiment de câblage de 4 pi. x 3" x 1-1/2".
LRK24-43Lyxx-U		
LRK24-46Lyxx-U		
LRK24-60Lyxx-U		
LRK24-46Lyxx-347		
LRK24-60Lyxx-347		
LRK32-30Lyxx-U	<ul style="list-style-type: none"> 2x2 Troffers: Lensed or parabolic, Type IC (Insulated Ceiling), 25°C max ambient, requires minimum 3" depth, one kit per troffer 2x2 Troffers: Lensed or parabolic, Type Non-IC Suspended Ceiling, 40°C max ambient, requires minimum 3" depth, one kit per troffer 2ft or 4ft Wraparound: Lensed or non-lensed, (minimum 8.5" width and 2.25" depth), 25°C max ambient, one kit per wraparound (lamps mounted end-to-end for 4ft) 2ft or 4ft Striplight: Non-lensed, (requires minimum 2.5" depth wiring compartment), 25°C max ambient, one kit per 2ft or 4ft striplight OR two kits per 4ft striplight 2ft or 4ft Vaportight: Lensed, minimum 5" depth and 6.75" width, 25°C max ambient, one kit per vaportight (lamps mounted end-to-end for 4ft) Any surface or pendant mount circular fluorescent luminaire that has a lamp compartment of overall 32 inches in diameter and 6-3/4 inches depth from the tip of the lens to the luminaire mounting surface, suitable for dry and damp locations, and suitable for 40°C ambient max. 	<ul style="list-style-type: none"> 2x2 à lentille ou parabolique, Type IC, température ambiante max. de 25° C , profondeur min. de 3" 2x2 à lentille ou parabolique, Plafond suspendue type NON-IC, température ambiante max. de 40° C , profondeur min. de 3" 2 pi. ou de 4 pi. à lentille ou sans lentille enveloppante (largeur min. de 8.5" et profondeur de 2.25"), compartiment de câblage de 3" de large min., température ambiante max. de 25° C 2 pi ou 4 pi, sans lentille, réglette, (dimensions du compartiment de câblage min., 2.5 "de profond, 4" de large), température ambiante max. de 25° C Lentille 2 pi. ou 4 pi. étanche à la vapeur avec profondeur min. de 5" et largeur de 6.75", température ambiante max. de 25° C Deux ensembles LRK12 ou LRK22 pouvant être montés au luminaire de 8 pi. de type enveloppant, réglette ou étanche à la vapeur. Tout luminaire fluorescent circulaire pour montage surface ou suspendue et ayant un compartiment à lampe d'un diamètre total de 32 pouces et une épaisseur de 6-3/4 de la pointe de la lentille à la surface de montage du luminaire. Convient aux endroits secs et humides, et convient à une température ambiante max. de 40 °C.
LRK32-45Lyxx-U		
LRK32-30Lyxx-347		
LRK32-45Lyxx-347		
LRK34-46Lyxx-U	<ul style="list-style-type: none"> 2x4 Troffers: Lensed or parabolic, Type IC (Insulated Ceiling), 25°C max ambient, requires minimum 3" depth, one kit per troffer 2x4 Troffers: Lensed or parabolic, Type Non-IC suspended ceiling, 40°C max ambient, requires minimum 3" depth, one kit per troffer 4ft or 8ft Wraparound: Lensed or non-lensed, (minimum 8.5" width and 2.25" depth), 25°C max ambient, one kit per 4ft wraparound, one or two kits per 8ft 4ft or 8ft Striplight: Non-lensed, (minimum wiring compartment dimensions 2.5" depth and 4" width), 25°C max ambient, one kit per 4ft, one or two kits per 8ft striplight 4ft or 8ft Vaportight: Lensed, minimum 5" depth and 6.75" width, 25°C max ambient, one kit per vaportight, one or two kits per 8ft 	<ul style="list-style-type: none"> 2x4 à lentille ou parabolique, Type IC, température ambiante max. de 25° C , profondeur min. de 3" 2x4 à lentille ou parabolique, Plafond suspendue type NON-IC, température ambiante max. de 40° C , profondeur min. de 3" 4 pi. ou 8 pi, à lentille ou sans lentille enveloppante (largeur min. de 8.5" et profondeur de 2.25"), compartiment de câblage de 3" de large min., température ambiante max. de 25° C 4 pi ou 8 pi, sans lentille, réglette, (dimensions du compartiment de câblage min., 2.5 "de profond, 4" de large), température ambiante max. de 25° C Lentille 4 pi. ou 8 pi. étanche à la vapeur avec profondeur min. de 5" et largeur de 6.75", température ambiante max. de 25° C Deux ensembles LRK14 ou LRK24 pouvant être montés au luminaire de 4 pi. de type enveloppant, réglette ou étanche à la vapeur.
LRK34-60Lyxx-U		
LRK34-46Lyxx-347		
LRK34-60Lyxx-347		

INSTALLATION

Fig. 1



Step 1: Disconnect power to the fixture.

Step 2: For 2x2 or 2x4 luminaire installations, locate latches on the lens frame and release. Swing lens frame open and carefully allow lens to hang open as shown in **Figure 1**.

NOTE: For vaportights and lensed wraparound installations, remove lens and set aside.

NOTE: For striplight and non-lensed wraparound installations go to **Step 3**.

Fig. 2



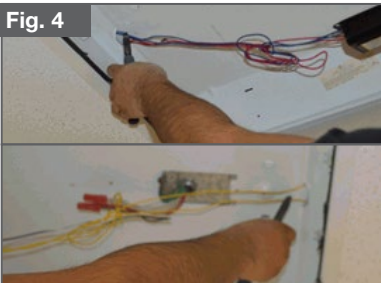
Step 3: Remove existing linear fluorescent tubes as shown in **Figure 2**. Dispose of tubes per local regulations.

Fig. 3



Step 4: Remove wiring compartment to access existing ballast and set aside. See **Figure 3**.

Fig. 4



Step 5: Cut the leads from the ballast to the socket housing on both ends of the fixture as shown in **Figure 4**.

NOTE: Cut the leads at the socket housing as short as possible. Push the leads back behind the lampholder housing or cap any exposed leads. Lampholders may be removed but require removal of lampholder leads.

Fig. 5



Step 6: Cut the leads from the input power to ballast. See **Figure 5**.

NOTE: Cut leads at the ballast leaving as much length as possible to facilitate installation of the driver. Strip wires as necessary.

Fig. 6



Step 7: Remove ballast by unscrewing from the fixture and dispose of properly per local regulations. See **Figure 6**.

Fig. 7



Step 8: Locate a flat area on the fixture within the wiring compartment to mount the driver. The driver must set flush with the fixture for proper thermal management. Install the driver where possible using existing crow's feet or mounting holes, and the provided two drill point screws with serrated heads. Ensure driver is properly grounded. See **Figure 7**.

NOTE: For striplight mounting, it is recommended to minimize exposed blue and red light bar leads to 3".

Fig. 8



Step 9: Peel liner from double-sided foam tape strips at opposite corners of light bar. Position light bar approximately at the centerline of existing lamp sockets and centered between the sockets as shown in **Figure 8**. Apply pressure to temporarily affix the light bar.

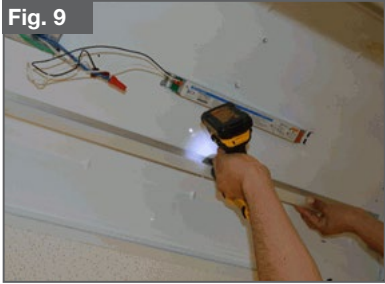
NOTE: Remove any support brackets for U-Bend fluorescent lamps. These are typical in some 2'x2' luminaires.

For striplight fixtures, position the lamps on the wiring compartment cover.

For circular surface or pendant mount luminaires, be careful to position the light bars so that the branch circuit wiring insulation will not be abraded or cut.

INSTALLATION

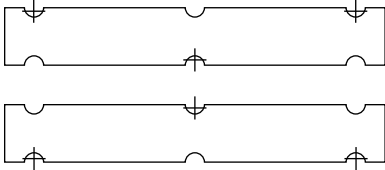
Fig. 9



Step 10: Once positioned, secure light bar to the fixture with the (6) provided self-tapping screws as shown in **Figure 9**. Repeat for additional light bars.

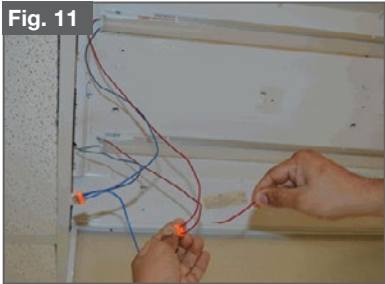
CAUTION: Foam tape is temporary for ease of installation. Do not complete retrofit installation without securing screws (3 per lamp).

Fig. 10



Step 11: Recommended mounting pattern. See **Figure 10**.

Fig. 11



Step 12: Connect red leads from both light bars to the loose red lead wire with the supplied orange 3-position connector by pushing into the open slot. Repeat for blue leads. See **Figure 11**.

Fig. 12



Step 13: Connect red and blue lead wires to the correct driver contacts as indicated on the driver label. See **Figure 12**.

NOTE: Optional 0-10V Analog Dimming Interface

- Use Violet (+) and Gray (-) for connection to 0-10VDC.
- Capping Violet and Gray separately provides 100% light output.
- Wiring Violet and Gray together provides minimum light output.
- The dimming control connections on the LED driver are for Class 2 wiring methods only. Separate the dimming control field wiring from the branch circuit field wiring in the wiring compartment in accordance with the National Electrical Code.

Fig. 13



Step 14: Prepare input power leads by stripping 1/4". Connect power lead wires to the correct driver contacts as indicated on the driver label. See **Figure 13**

NOTE: If the existing black and white lead wires are too short to reach the new driver position, an extension can be created using the provided black and white leads and red two-position connector.

Step 15: Wiring Schematics

Fig. 14

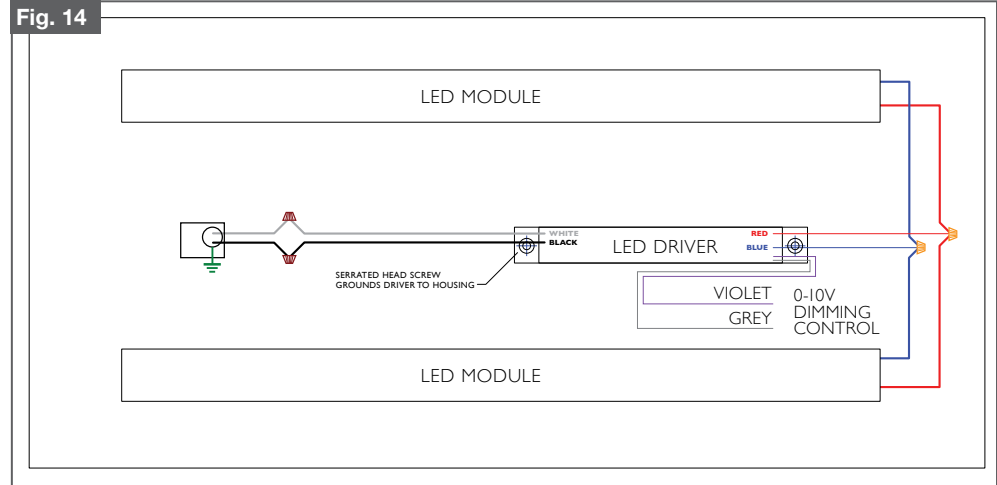


Fig. 15



Step 16: Replace wiring compartment cover. Dress light bar leads under the cover. Take care not to pinch red and blue leads between the cover and fixture.

Step 17: Place relamp label at a visible location in the fixture. Close or replace lens and secure latches or other fastening means.